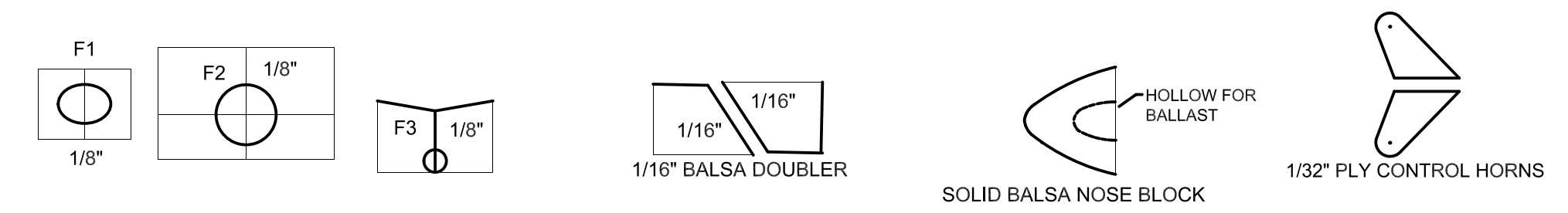
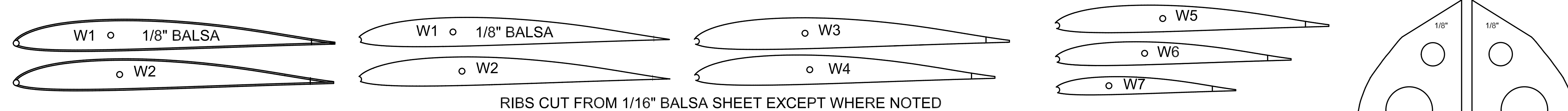
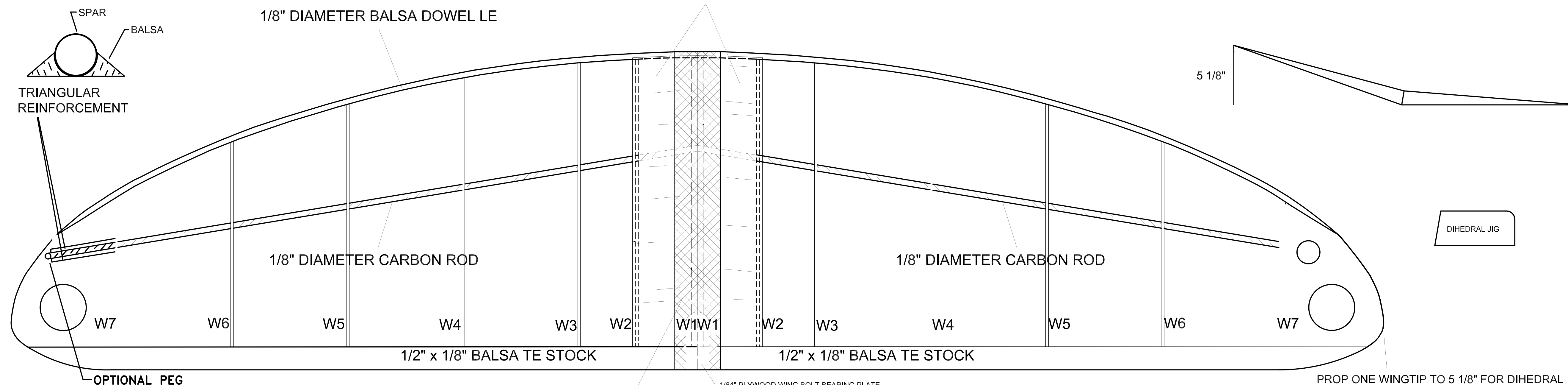
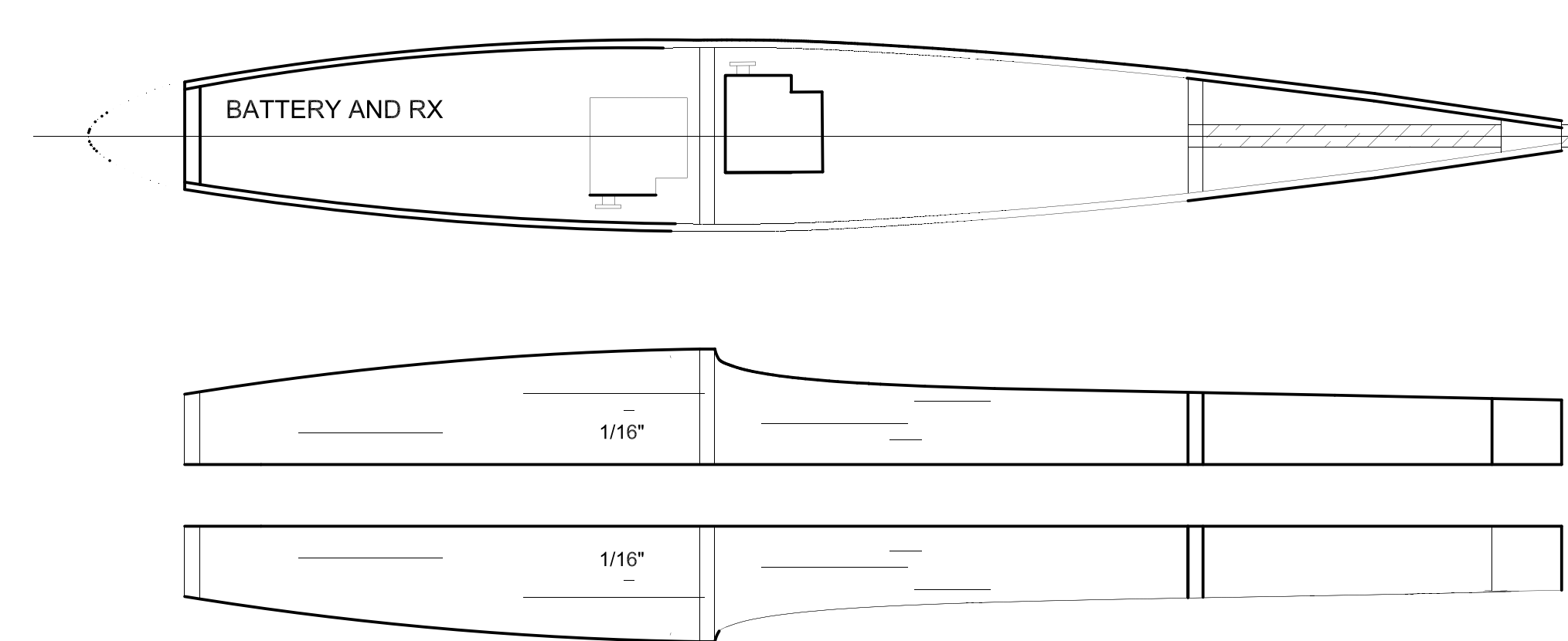


1/32" Balsa Sheet (Top and Bottom)



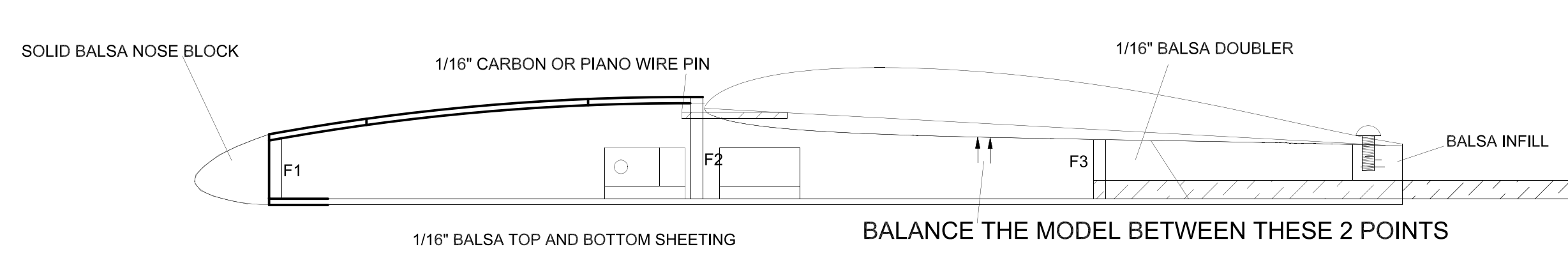
1/16" Balsa SHEET FUSELAGE SIDE PANELS



3/16" CARBON TUBE

1/16" MEDIUM Balsa SHEET TAILS

NOTE: RIGHT HANDED SETUP SHOWN. PUSHROD HOUSING & RUDDER CONTROL HORN SHOULD GO ON LEFT SIDE FOR LEFT HANDED THROWER.



BUGX
X Tail Version

